

Recess-Mounted Door Chime

MODEL: LB-14 SERIES

- Your NuTone Door Chime is designed for two-door operation. For best results, use NuTone Model 101T Transformer.
- Handle the door chime carefully as you would any precision instrument.
- Comply with local wiring codes when installing the door chime.
- If upon completion of the installation the chime does not operate, check your installation against these instructions. If the chime still does not operate, check the pushbutton(s) for poor contact or loose connections and wiring for short circuits.
- If chime plungers should ever become sluggish in their movement, clean the plungers with a nonflammable cleaning fluid and wipe dry. **CAUTION: NEVER OIL CHIME PLUNGERS.**

MOUNTING THE FRAME

Refer to Figure 1. The chime mechanism is shipped mounted in the metal mounting frame. Remove the cardboard plaster shield and remove the chime mechanism from the frame by freeing one side and sliding to the side.

NEW CONSTRUCTION

1. Bend or break off the four mounting tabs. **Do not bend tabs inward.**
2. Nail the chime mounting frame to a wall stud in the required location. Position the mounting frame so the front edge will be flush to the finished wall surface.
3. Complete the wiring connections.

EXISTING CONSTRUCTION

1. Bend out the recess mounting tabs.
2. In the desired location between wall studs, mark around the mounting frame and prepare a 4 $\frac{7}{8}$ " wide by 7" high cutout.
3. Insert the frame into the cutout. The recess mounting tabs go behind the wall. The recess mounting tabs and the two pairs of tabs on the side of the frame should hold the frame firmly in position.
4. Complete the wiring connections.

MOUNTING THE DOOR CHIME

1. Install chime to mounting frame after finished wall is in place.
2. Feed wires through the wiring entrance in the chime's base plate and make wire connections to the terminal board.
3. Slide the chime mechanism under the cover mounting brackets and snap chime into frame.
4. Mount chime cover to mounting brackets by using supplied screws.

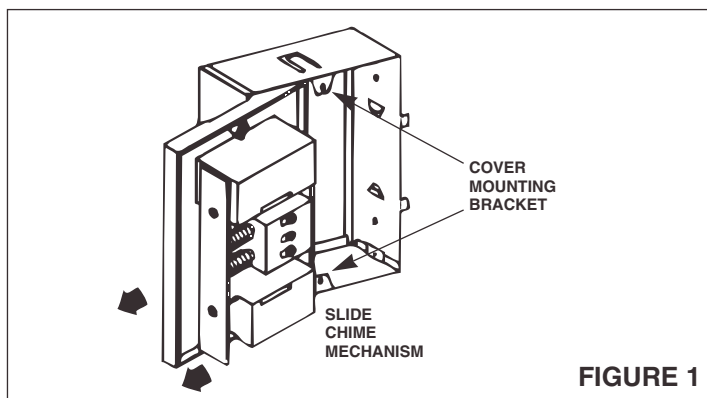


FIGURE 1

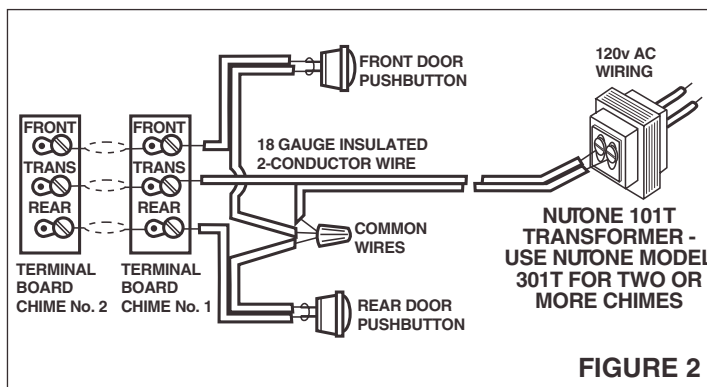


FIGURE 2

WIRING

- Be certain the power has been disconnected at the main source before making the connections.
 - Comply with local electrical code.
 - When stapling wires to studs or joists, do not allow staples to cut through wire insulation.
1. Mount the transformer to a convenient junction box (attic location not recommended) or circuit breaker box.
 2. Connect house power leads to transformer leads: black to black, white to white.
 3. Run 2-conductor, 18 gauge cable from the transformer screw terminals and from the pushbutton screw terminals to the chime location.
 4. **Refer to Figure 2.** Bring wires into the mounting frame. Connect the transformer and pushbutton wires to the terminal board on the chime base plate.

ELECTRONIC WIRING HOOK-UP FROM DOOR CHIME TO INTERCOM SYSTEM

1. Run NuTone IW-2 cable (22 gauge twisted-pair cable) from intercom location to chime.
2. Run wires through wiring hole in chime base plate and connect to terminals 1 and 2 on volume control terminal board.
3. Refer to instructions packaged with intercom for connection to intercom.

NuTone®

One Year Limited Warranty

WARRANTY OWNER: NuTone warrants to the original consumer purchaser of its products that such products will be free from defects in materials or workmanship for a period of one (1) year from the date of original purchase. **THERE ARE NO OTHER WARRANTIES, EXPRESS OR IMPLIED, INCLUDING, BUT NOT LIMITED TO, IMPLIED WARRANTIES OF MERCHANTABILITY OR FITNESS FOR A PARTICULAR PURPOSE.**

During this one year period, NuTone will, at its option, repair or replace, without charge, any product or part which is found to be defective under normal use and service. **THIS WARRANTY DOES NOT EXTEND TO FLUORESCENT LAMP STARTERS OR TUBES, FILTERS, DUCT, ROOF CAPS, WALL CAPS AND OTHER ACCESSORIES FOR DUCTING.** This warranty does not cover (a) normal maintenance and service or (b) any products or parts which have been subject to misuse, negligence, accident, improper maintenance or repair (other than by NuTone), faulty installation or installation contrary to recommended installation instructions.

The duration of any implied warranty is limited to the one year period as specified for the express warranty. Some states do not allow limitation on how long an implied warranty lasts, so the above limitation may not apply to you.

NUTONE'S OBLIGATION TO REPAIR OR REPLACE, AT NUTONE'S OPTION, SHALL BE THE PURCHASER'S SOLE AND EXCLUSIVE REMEDY UNDER THIS WARRANTY. NUTONE SHALL NOT BE LIABLE FOR INCIDENTAL, CONSEQUENTIAL OR SPECIAL DAMAGES ARISING OUT OF OR IN CONNECTION WITH PRODUCT USE OR PERFORMANCE. Some states do not allow the exclusion or limitation of incidental or consequential damages, so the above limitation or exclusion may not apply to you. This warranty gives you specific legal rights, and you may also have other rights, which vary from state to state. This warranty supersedes all prior warranties.

WARRANTY SERVICE: To qualify for warranty service, you must (a) notify NuTone at the address stated below or telephone 1/800-543-8687, (b) give the model number and part identification and (c) describe the nature of any defect in the product or part. At the time of requesting warranty service, you must present evidence of the original purchase date.

Date of Installation _____ Builder or Installer _____

Model No. and Product Description _____

IF YOU NEED ASSISTANCE OR SERVICE:

For the location of your nearest NuTone Independent Authorized Service Center:

Residents of the contiguous United States Dial Free 1-800-543-8687

Please be prepared to provide:

Product model number • Date and Proof of purchase • The nature of the difficulty

Residents of Alaska or Hawaii should write to: NuTone Inc. Attn: Department of National Field Service, 4820 Red Bank Road, Cincinnati Ohio 45227-1599.

Residents of Canada should write to: Broan-NuTone Canada, 1140 Tristar Drive, Mississauga, Ontario, Canada L5T 1H9.

Rev. 03/2001



Product specifications subject to change without notice.

4820 Red Bank Road, Cincinnati, Ohio 45227
Printed in U.S.A., Rev. 04/2001, Part No. 84568